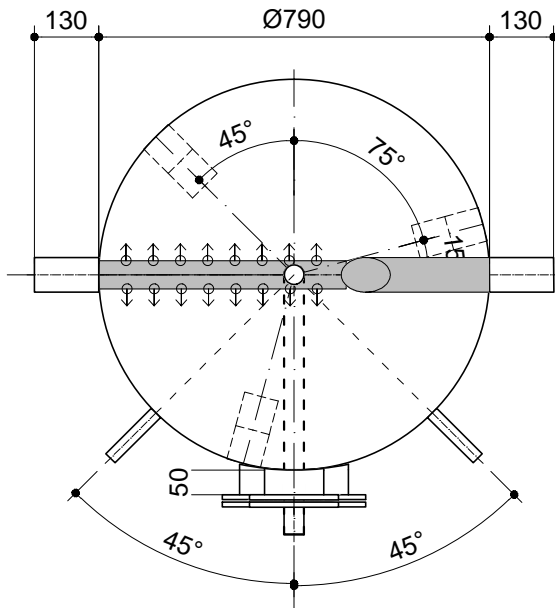


WITHOUT INSULATION



code: **99.04171436-26N**

N° 1 Pcs.
ATX 1000 N SPECIAL

CUSTOMER: ISPAG
Ref. ORDER: KST300/125706
OF: 15/04/2026

MATERIAL: Inox Aisi 316L
EXTERNAL TREAT.: Pickling
INTERNAL TREAT.: Pickling
WORKING PRESSURE: 6 bar
TEST PRESSURE: 9 bar

RO - 17/04/2026 - PRIMA EMISSIONE

MATERIAL: Inox Aisi 316L	WEIGHT: ≈ 125 Kg	WORKING PRESSURE / TEST: 6 bar / 9 bar	
EXTERNAL TREATMENT Pickling	INTERNAL TREATMENT: Pickling	V	F



DESIGNED BY: GIOVANNINI	APPROVED: Ing. Buccigrossi	DATE: 17/04/2026
CUSTOMER: ISPAG		ORDER N°:
DESCRIPTION :		DRAWING CODE: --



The TML reserves the right to make constructional improvements of the product or changes without notice. This drawing cannot be copied, reproduced or shown to third parties without our approval.