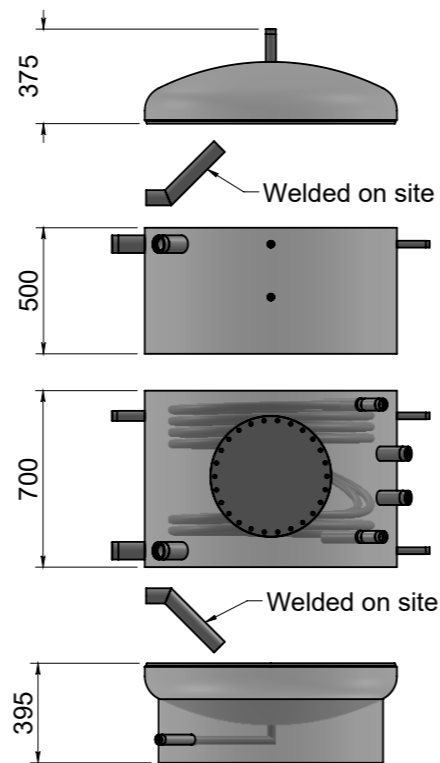
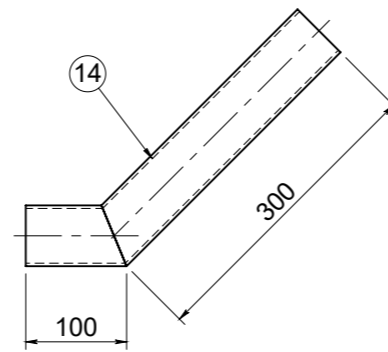
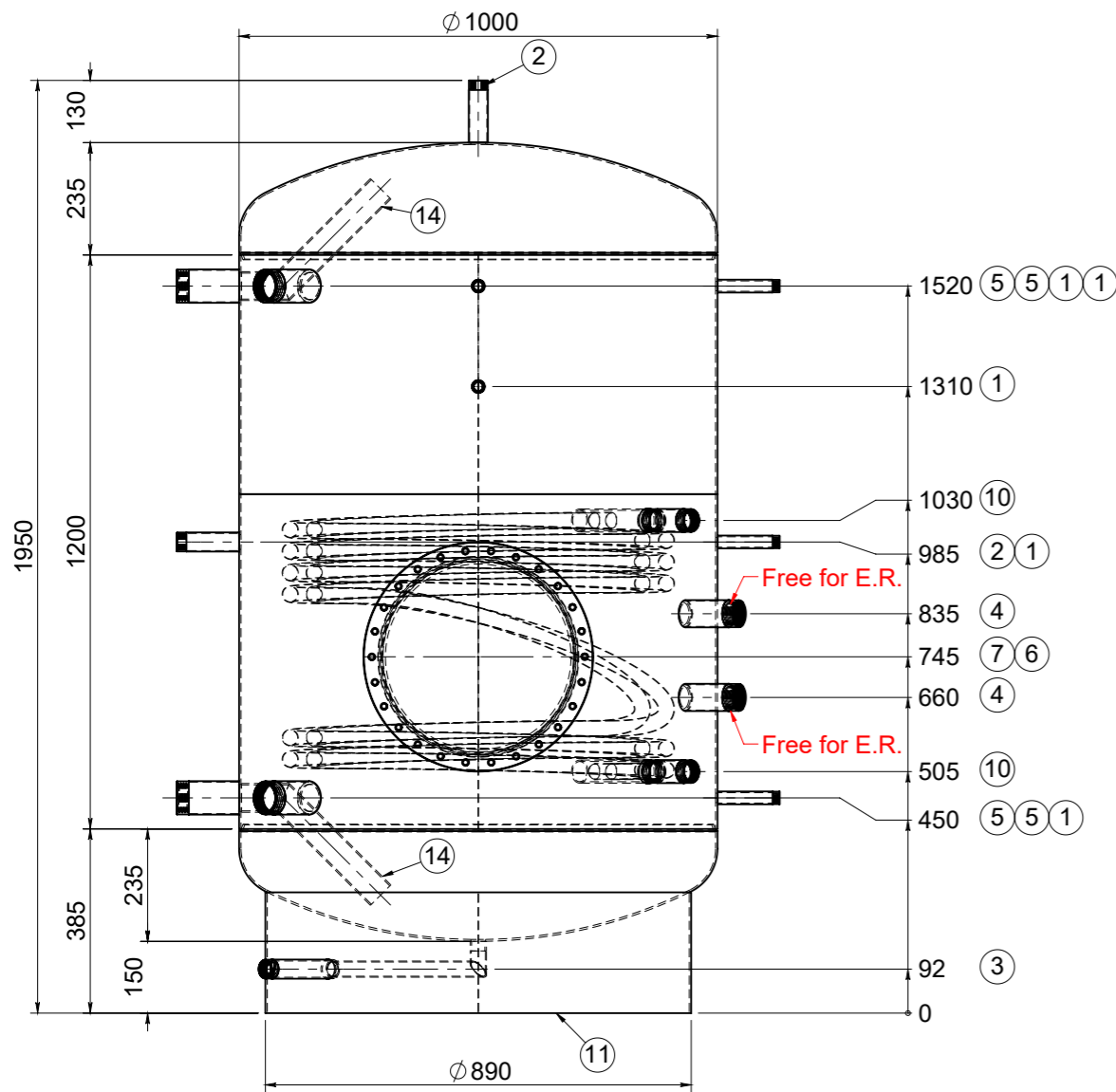


ID	Description	Code	Notes	Material	UM	Qt	Cut (mm)
1	1/2" L=130	TML001019		Inox AISI 316L (1.4404)	PZ	5	--
2	1" L=130	TML001037		Inox AISI 316L (1.4404)	PZ	2	--
3	1" L=200	TML001159		Inox AISI 316L (1.4404)	PZ	1	--
4	1"1/2 L=130	TML001075		Inox AISI 316L (1.4404)	PZ	2	--
5	2" L=130	TML001096		Inox AISI 316L (1.4404)	PZ	4	--
6	400/480 FLANGE	TML005528		Inox AISI 304 (1.4307)	PZ	1	--
7	400/480 BLIND	TML005491		Inox AISI 316L (1.4404)	PZ	1	--
8	400/480 COLLAR	TML004950		Inox AISI 316L (1.4404)	PZ	1	--
9	400/480 GASKET	TML005552		Sesalit Eco	PZ	1	--
10	EXCH. 3 M ² W/2 CONN. 1"1/4	TML016729		Inox AISI 316L (1.4404)	PZ	1	--
11	BASE CYLINDER	TML016728		Inox AISI 316L (1.4404)	PZ	0.17	--
12	DN25 PIPE	TML012149		Inox AISI 316L (1.4404)	MT	0.02	1 x 20
13	DN25 PIPE	TML012790		Inox AISI 316L (1.4404)	MT	0.682	1 x 682
14	DN50 SPARGE PIPE	TML003646		Inox AISI 316L (1.4404)	MT	0.8	2 x 400



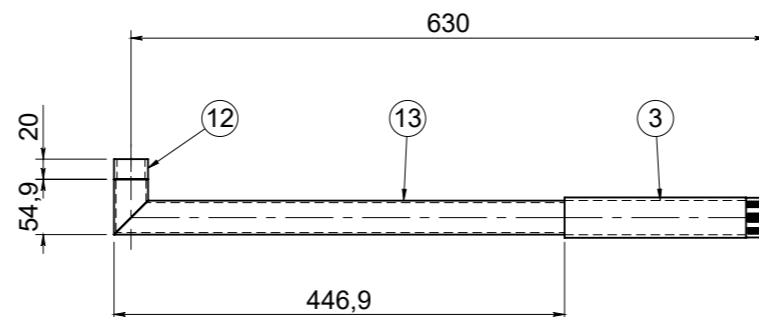
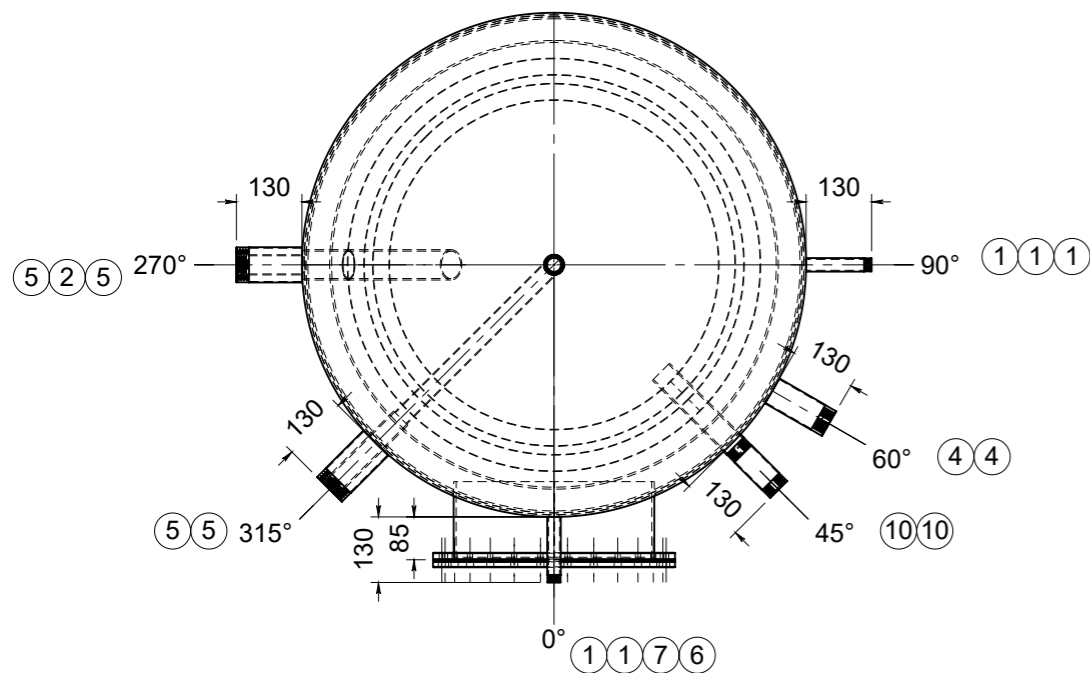
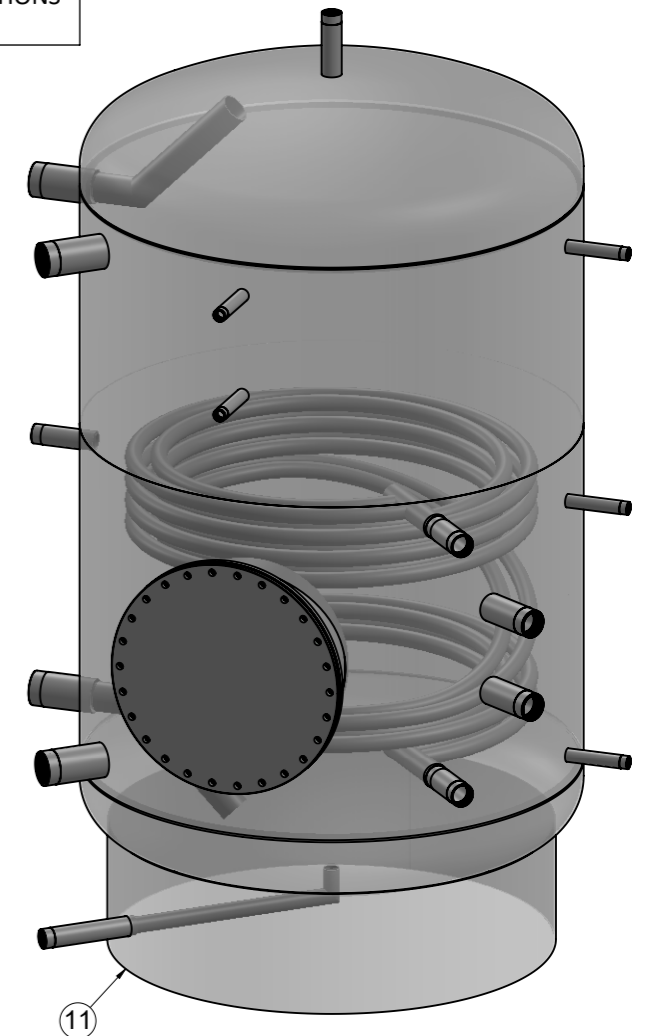
NB
THIS TANK WILL BE DELIVERED IN 4 SEPARATE SECTIONS
TO BE ASSEMBLED ON SITE

Customer: ISPAG
Ref. order: KST300/125553
Ref. offer: --
Ref. OFV: OFV26-0543

N° 1 Pcs

Tank1: DHW
Material: **Inox AISI 316L (1.4404)**
External treat.: **PICKLED**
Internal treat.: **PICKLED**
Pressure (exerc./test): **10 bar/NOT TESTED**

Insulation: **NOT INSULATED**



PER CLIENTE

TOLLERANZA QUOTE ±5MM Dimensions Tolerance ±5mm	Nome file: TML016727	Nr. Articolo:	
	Stato: In Approv.ne Comm.le	99.04071101-26N	
	Data: 07/04/2026	WP1X SPECIALE 1250 Lt - SEZIONATO NUDO	
	Autore: Giuliano Iodice		
Pag: 1 di 1	Scala: 1:15	Foglio1	
Formato: A3		Material:	Peso:
		Trattamento:	279.91 kg
		Rev: 02_c - Crea: GI 28/04/2026 - Approvata: GI 28/04/2026	
		IL CLIENTE CHIEDE LUNGHEZZA MANICOTTI 130 E MODIFICA POSIZIONE MANICOTTI PER R.E.	

