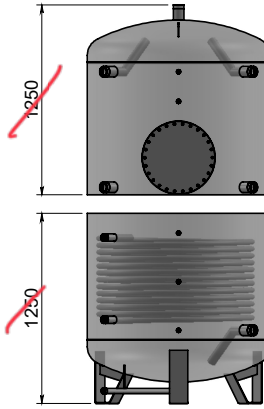
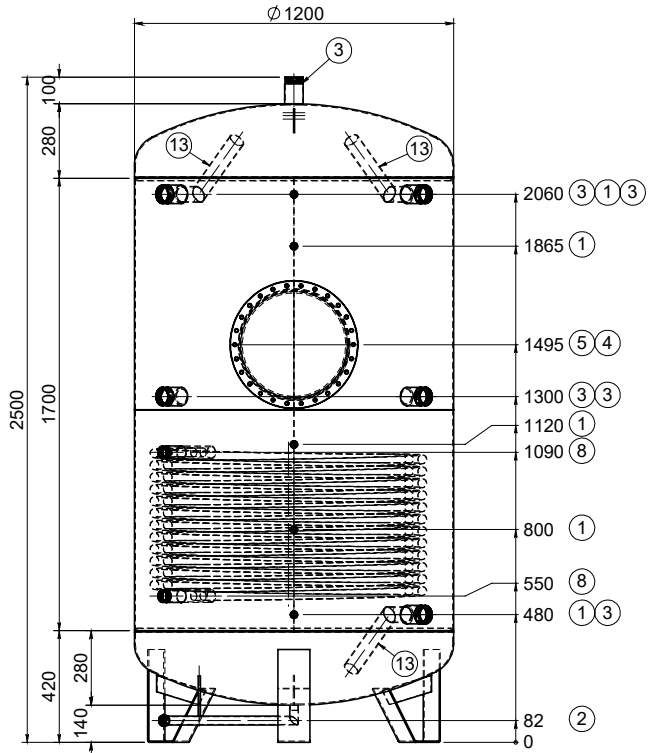
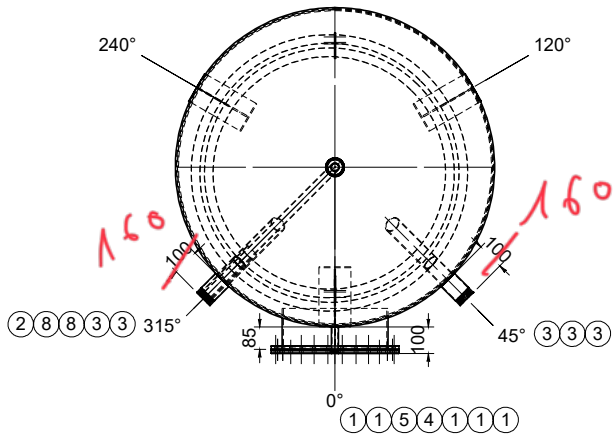


Door 800 mm



NB
THIS TANK WILL BE DELIVERED IN 2 SEPARATE SECTIONS
TO BE ASSEMBLED ON SITE



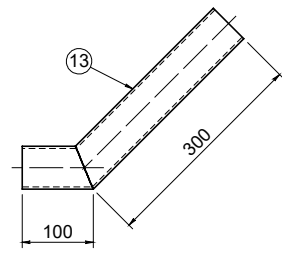
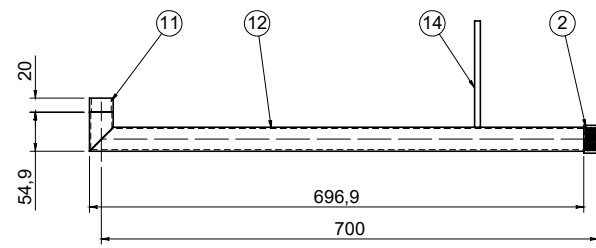
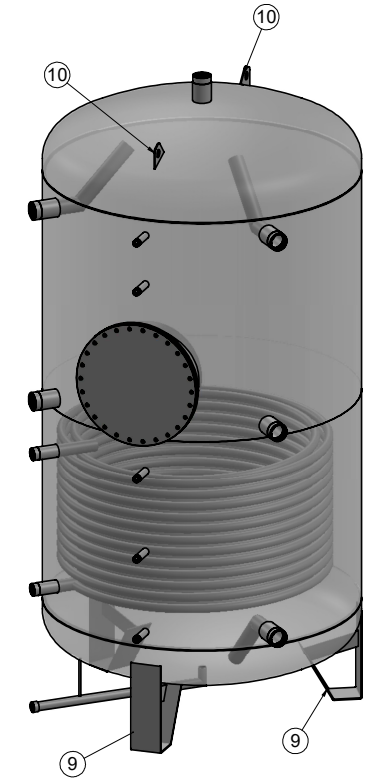
Bill of Materials: 99.03301452-26N							
ID	Description	Code	Notes	Material	UM	Qt	Cut (mm)
1	1/2" L=100	TML000864		Inox AISI 316L (1.4404)	PZ	5	--
2	1" L=20	TML000720		Inox AISI 316L (1.4404)	PZ	1	--
3	2" L=100	TML001095		Inox AISI 316L (1.4404)	PZ	6	--
4	400/480 FLANGE	TML005528		Inox AISI 304 (1.4307)	PZ	1	--
5	400/480 BLIND	TML005491		Inox AISI 316L (1.4404)	PZ	1	--
6	400/480 COLLAR	TML004950		Inox AISI 316L (1.4404)	PZ	1	--
7	400/480 GASKET	TML005552		Sesalit Eco	PZ	1	--
8	EXCH. 8 M ² W/2 CONN. 1"1/4	TML016711		Inox AISI 316L (1.4404)	PZ	1	--
9	D.1200 FOOT	TML005286		Inox AISI 304 (1.4307)	PZ	3	--
10	LIFTING POINT	TML005372		Inox AISI 304 (1.4307)	PZ	2	--
11	DN25 PIPE	TML012149		Inox AISI 316L (1.4404)	MT	0.02	1 x 20
12	DN25 PIPE	TML012790		Inox AISI 316L (1.4404)	MT	0.682	1 x 682
13	DN50 SPARGE PIPE	TML003646		Inox AISI 316L (1.4404)	MT	1.2	3 x 400
14	ROD Ø8	TML005341		Inox AISI 304 (1.4307)	MT	0.15	1 x 150

Customer: ISPAG
Ref. order: KST300-125423
Ref. offer: --
Ref. OFV: OFV26-0465

N° 1 Pcs

Tank1: DHW
Material: **Inox AISI 316L (1.4404)**
External treat.: **PICKLED**
Internal treat.: **PICKLED**
Pressure (exerc./test): **6 bar/NOT TESTED**

Insulation: **NOT INSULATED**



PER CLIENTE

TOLLERANZA QUOTE ± 5MM Dimensions Tolerance ± 5mm	Nome file: TML016710	Nr. Articolo:	
	Stato: In Approv.ne Comm.le	99.03301452-26N	
	Data: 30/03/2026	WP1X SPECIALE 2500 Lt - SEZIONATO NUDO	
	Autore: Giuliano Iodice		
	Pag: 1 di 1	Scala: 1:20	Foglio1
Formato: A3		Materiale:	Peso:
		Trattamento:	428.02 kg
		Rev: 00_c - Crea: -- -- - Approvata: GI 30/03/2026	
		EMISSIONE PER ACCETTAZIONE	

