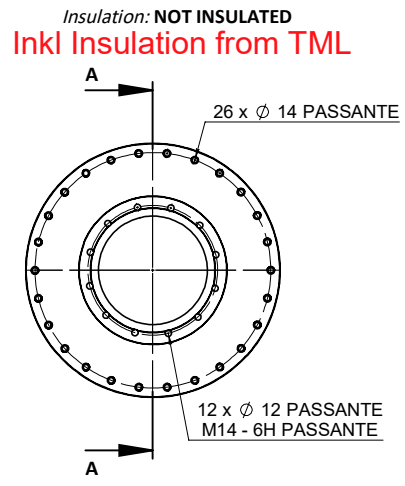


NB
THIS TANK WILL BE DELIVERED IN 3 SEPARATE SECTIONS
TO BE ASSEMBLED ON SITE

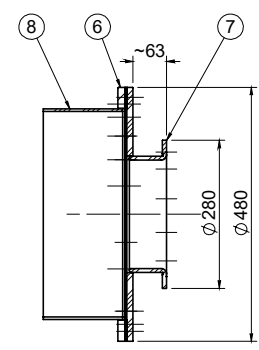
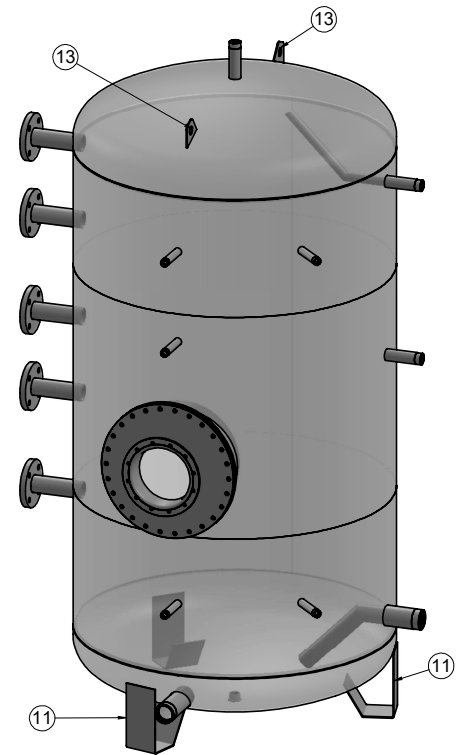
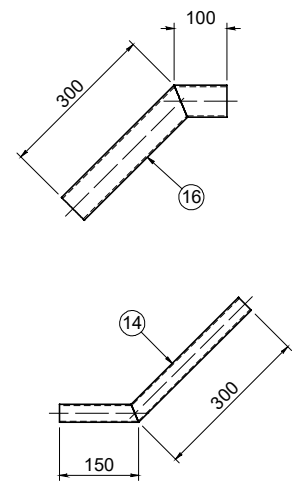
Customer: ISPAG
Ref. order: KST300/125365
Ref. offer: --
Ref. OFV: OFV26-0429

N° 1 Pcs
Tank1: DHW
Material: **Inox AISI 316L (1.4404)**
External treat.: PICKLED
Internal treat.: PICKLED
Pressure (exerc./test): **6 bar/NOT TESTED**



Bill of Materials: 99.03161423-26N

ID	Description	Code	Notes	Material	UM	Qt	Cut (mm)
1	1/2" L=130	TML001019		Inox AISI 316L (1.4404)	PZ	5	--
2	1" L=20	TML000720		Inox AISI 316L (1.4404)	PZ	1	--
3	1" L=130	TML001037		Inox AISI 316L (1.4404)	PZ	3	--
4	2" L=130	TML001096		Inox AISI 316L (1.4404)	PZ	1	--
5	2" L=200	TML001103		Inox AISI 316L (1.4404)	PZ	1	--
6	400/480 FLANGE	TML005528		Inox AISI 304 (1.4307)	PZ	1	--
7	480/280 REDUCTION BLIND	TML016569		Inox AISI 316L (1.4404)	PZ	1	--
8	400/480 COLLAR	TML004950		Inox AISI 316L (1.4404)	PZ	1	--
9	400/480 GASKET	TML005552		Sesalit Eco	PZ	1	--
10	DN50/PN16	TML005839		Inox AISI 304 (1.4307)	PZ	5	--
11	D.1100 FOOT	TML005298		Inox AISI 304 (1.4307)	PZ	3	--
12	1" CAP	TML003648		Inox AISI 316L (1.4404)	PZ	1	--
13	LIFTING POINT	TML005372		Inox AISI 304 (1.4307)	PZ	2	--
14	DN25 SPARGE PIPE	TML004938		Inox AISI 316L (1.4404)	MT	0.45	1 x 450
15	DN50 PIPE	TML006318		Inox AISI 316L (1.4404)	MT	0.975	5 x 195
16	DN50 SPARGE PIPE	TML003646		Inox AISI 316L (1.4404)	MT	0.4	1 x 400



SEZIONE A
SCALA 1 : 10

PER CLIENTE

TOLLERANZA QUOTE ± 5MM Dimensions Tolerance ± 5mm	Nome file: TML016568		Nr. Articolo:
	Stato: In Approv.ne Comm.le		99.03161423-26N
	Data: 16/03/2026		ATX SPECIALE 2080 Lt - SEZIONATO NUDO
	Autore: Giuliano Iodice		
	Pag: 1 di 1	Scala: 1:15	Foglio1
	Formato: A3		Materiale: Trattamento:
			Peso: 330.86 kg
Rev: 00_c - Crea: -- -- -- Approvata: GI 16/03/2026 EMISSIONE PER ACCETTAZIONE			