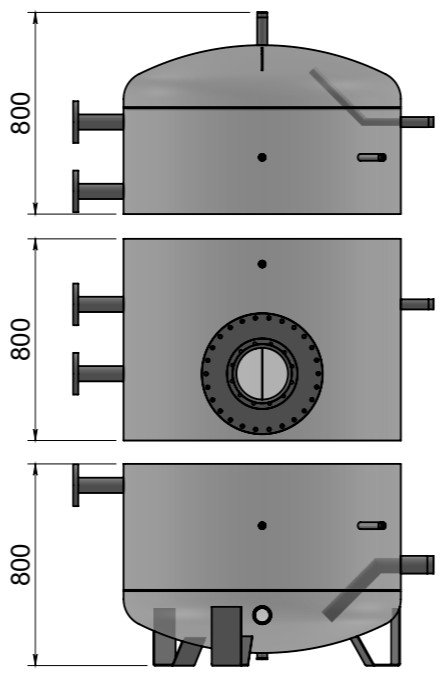
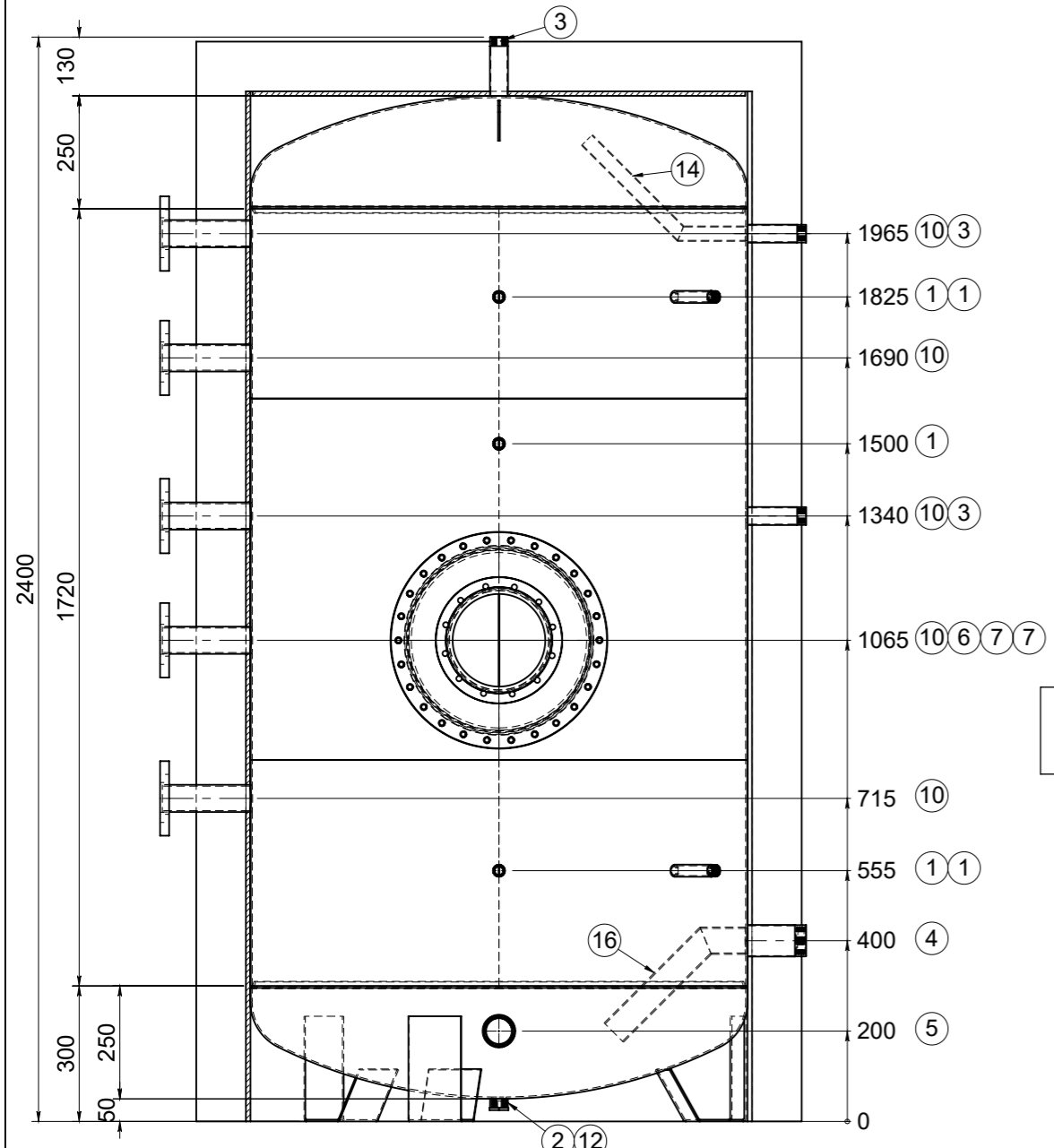


ID	Description	Code	Notes	Material	UM	Qt	Cut (mm)
1	1/2" L=130	TML001019		Inox AISI 316L (1.4404)	PZ	5	--
2	1" L=20	TML000720		Inox AISI 316L (1.4404)	PZ	1	--
3	1" L=130	TML001037		Inox AISI 316L (1.4404)	PZ	3	--
4	2" L=130	TML001096		Inox AISI 316L (1.4404)	PZ	1	--
5	2" L=200	TML001103		Inox AISI 316L (1.4404)	PZ	1	--
6	400/480 FLANGE	TML005528		Inox AISI 304 (1.4307)	PZ	1	--
7	480/280 REDUCTION BLIND	TML016569		Inox AISI 316L (1.4404)	PZ	1	--
8	400/480 COLLAR	TML004950		Inox AISI 316L (1.4404)	PZ	1	--
9	400/480 GASKET	TML005552		Sesalit Eco	PZ	1	--
10	DN50/PN16	TML005839		Inox AISI 304 (1.4307)	PZ	5	--
11	D.1100 FOOT	TML005298		Inox AISI 304 (1.4307)	PZ	3	--
12	1" CAP	TML003648		Inox AISI 316L (1.4404)	PZ	1	--
13	LIFTING POINT	TML005372		Inox AISI 304 (1.4307)	PZ	2	--
14	DN25 SPARGE PIPE	TML004938		Inox AISI 316L (1.4404)	MT	0.45	1 x 450
15	DN50 PIPE	TML006318		Inox AISI 316L (1.4404)	MT	0.975	5 x 195
16	DN50 SPARGE PIPE	TML003646		Inox AISI 316L (1.4404)	MT	0.4	1 x 400



NB
THE INSULATION WILL BE SHIPPED SEPARATELY
NOT INSTALLED

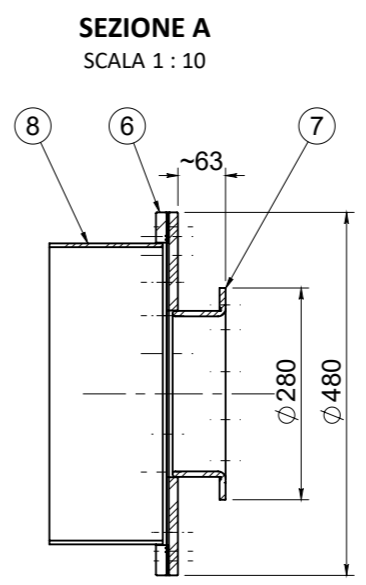
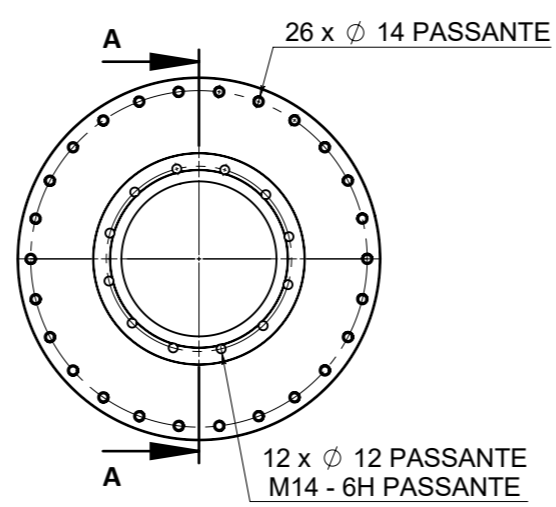
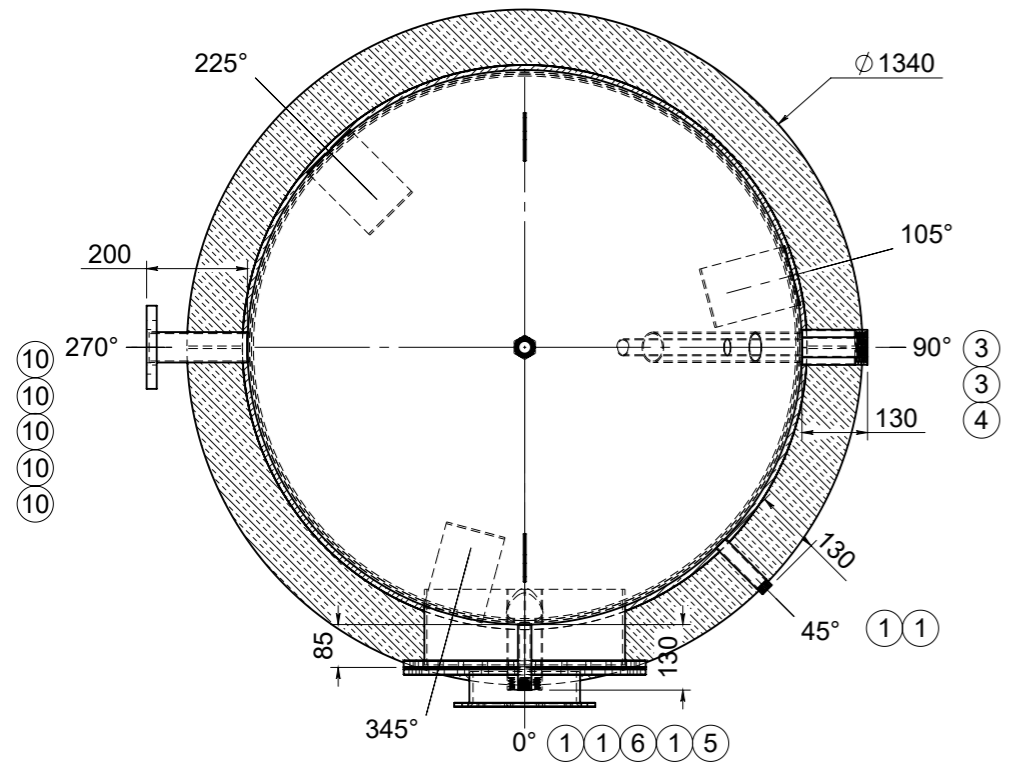
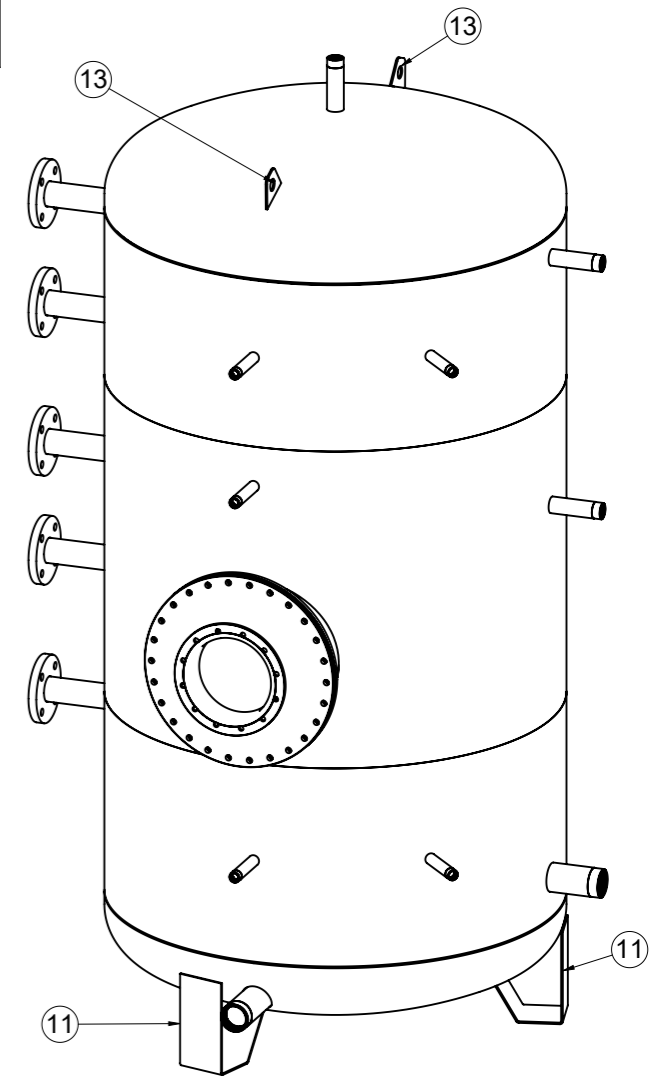
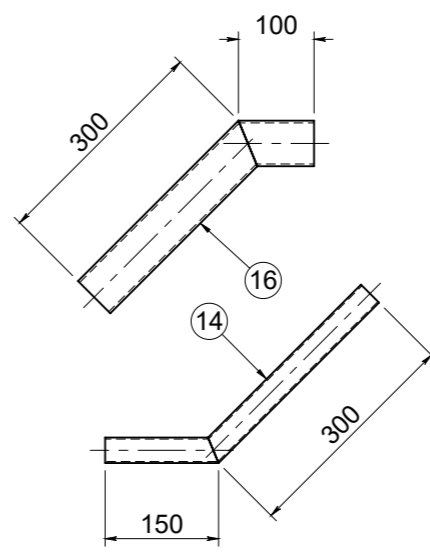
NB
THIS TANK WILL BE DELIVERED IN 3 SEPARATE SECTIONS
TO BE ASSEMBLED ON SITE

Customer: ISPAG
Ref. order: KST300/125365
Ref. offer: --
Ref. OFV: OFV26-0429

N° 1 Pcs

Tank1: DHW
Material: Inox AISI 316L (1.4404)
External treat.: PICKLED
Internal treat.: PICKLED
Pressure (exerc./test): 6 bar/NOT TESTED

Insulation: NOT INSTALLED
Material: POLYESTER + POLYSTYRENE
Thickness: 10+110 mm
Cover: ABS
Color: RAL 9016



TOLLERANZA QUOTE ± 5MM
Dimensions Tolerance ± 5mm

Nome file: TML016621	Nr. Articolo: 99.03161423-26R
Stato: In Approv.ne Comm.le	ATX SPECIALE 2080 Lt - SEZIONATO
Data: 19/03/2026	COIB. VLIIES + POLISTIROLO 10+110
Autore: Giuliano Iodice	
Pag: 1 di 1	Scala: 1:15
Formato: A3	Foglio1
Materiale:	Peso: 366.47 kg
Trattamento:	
Rev: 01_c - Crea: GI 19/03/2026 - Approvata: GI 19/03/2026	
IL CLIENTE CHIEDE AGGIUNTA ISOLAMENTO NON MONTATO. MODIFICATO CODICE ARTICOLO	



PER CLIENTE