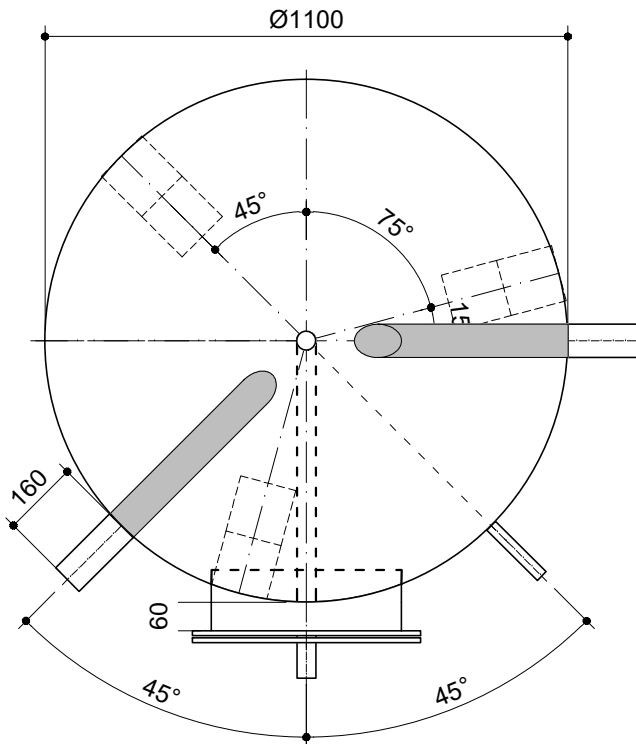


WITHOUT INSULATION



code: **99.02191017-26N**

N° 1 Pcs.
ATX 1300 N SPECIAL

CUSTOMER: ISPAG
Ref. ORDER: KST300/124913
OF: 18/02/2026

MATERIAL: Inox Aisi 316L
EXTERNAL TREAT.: Pickling
INTERNAL TREAT.: Pickling
WORKING PRESSURE: 6 bar
TEST PRESSURE: 9 bar
NOT TESTED

R0 - 19/02/2026 - PRIMA EMISSIONE
R1 - 26/03/2026 - AGGIORNAMENTO DISEGNO

DESIGNED BY: GIOVANNINI	APPROVED: Ing. Buccigrossi	DATE: 19/02/2026
CUSTOMER: ISPAG		ORDER N°:
DESCRIPTION :		DRAWING CODE. ---

MATERIAL: Inox Aisi 316L	WEIGHT: ≈ 225 Kg	WORKING PRESSURE / TEST: 6 bar / 9 bar	
EXTERNAL TREATMENT: Pickling	INTERNAL TREATMENT: Pickling	V	F

The T.M.L. reserves the right to make constructional improvements of the product or changes without notice. This drawing cannot be copied, reproduced or shown to third parties without our approval.